

## One-Joint Sets

### One-Joint Sets 29BU/M and 27BU

A comprehensive range of Quickfit jointed glassware sets and extension kits covering the practical chemistry requirements of teachers and students. Joint size 14/23. For quantities up to 30g.

- ◆ Suitable for both inorganic and organic chemistry
- ◆ Semi-micro scale with flask capacities from 5ml to 250ml
- ◆ Most sets are supplied in boxes which fit into a normal laboratory bench drawer and have compartments to both safely protect the contents and to utilise the least amount of storage space

#### Components:

Ref. No.	Item No.	Components	29BU/M	Sets 27BU
FP50/1	1	Pear shaped flask, 50ml	1	1
SH4/1	2	Stillhead	1	1
C1/11/SC	3	Liebig condenser	1	1
ST51/13	4	Screwcap adapter	1	1
RA1/11	5	Receiver adapter	1	1
MF5	6	Air leak/steam inlet tube	—	1
D31/1/50	7	Dropping funnel, 50ml with GP Rotaflo tap	—	1
SB14	8	Glass stopper	—	—
TRF593	8	Plastic stopper	—	1
—	9	Thermometer	—	1
FR25/15	10	Round bottom flask, 25ml	—	—
C2/11	11	Air condenser/drying tube	—	—
3730/04	12	Sintered glass funnel	—	—
MF23/1	13	Drying tube	—	—
FP50/1/1A	14	Pear shaped flask, 50ml, with angled side neck	—	—
MF5	15	Air leak/steam inlet tube	—	—
MF17/1/SC	16	Adapter with 'T' connection	—	—
ST51/18	17	Screwcap adapter	—	—

### Set 29BU/M

A 5-part introductory set to the principle techniques of preparative organic chemistry. An ideal set for students. Supplied in a box with instruction booklet which contains notes on practical techniques and details of various experiments and preparations.

**Q29BU/M** Set 29BU/M

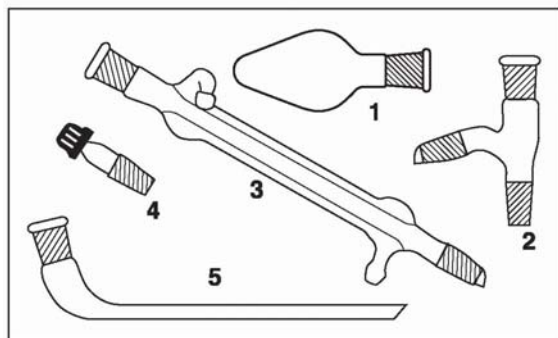
### Set 27BU

A 9-part set of great versatility and purposely designed to cover the essential requirements for the teaching of organic chemistry. A highly popular set for use in schools, colleges and universities. Supplied in box with storage tray and instructions which include practical details of a student's course of experiments and preparations.

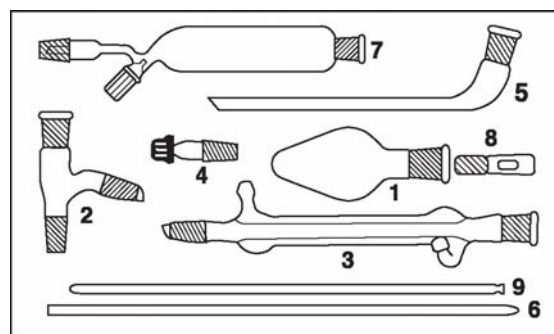
**Q27BU** Set 27BU



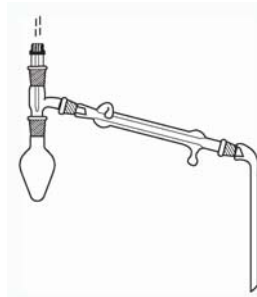
**Q27BU**



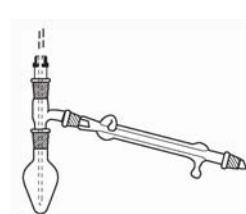
**Q29BU/M**



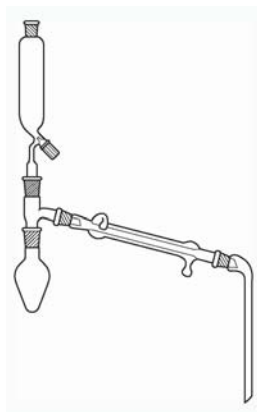
**Q27BU**



**Preparation**



**Steam distillation**



**Recovery**



**Reflux**



**Reflux with addition**